

Weinsberg Box Pallet

Data Sheet

High-Quality & sustainable

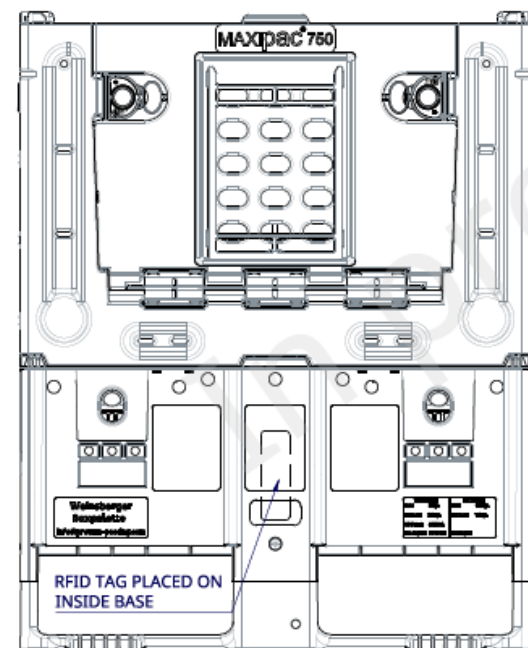
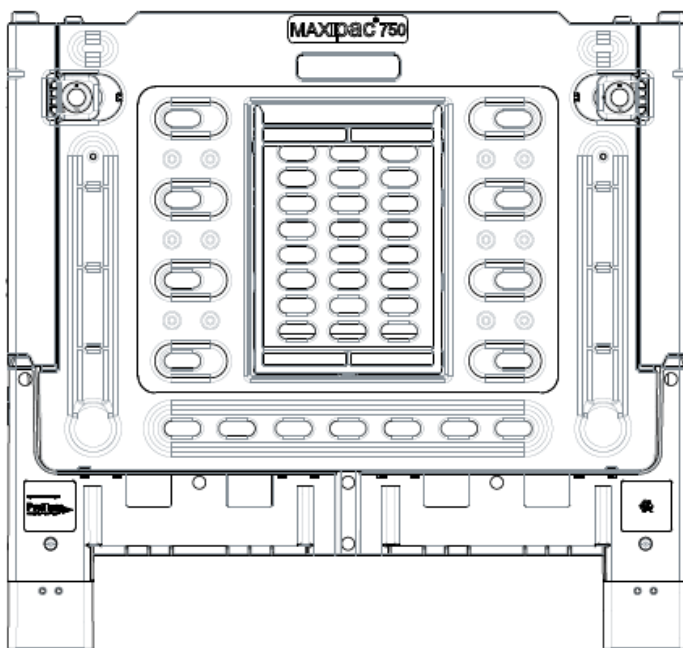
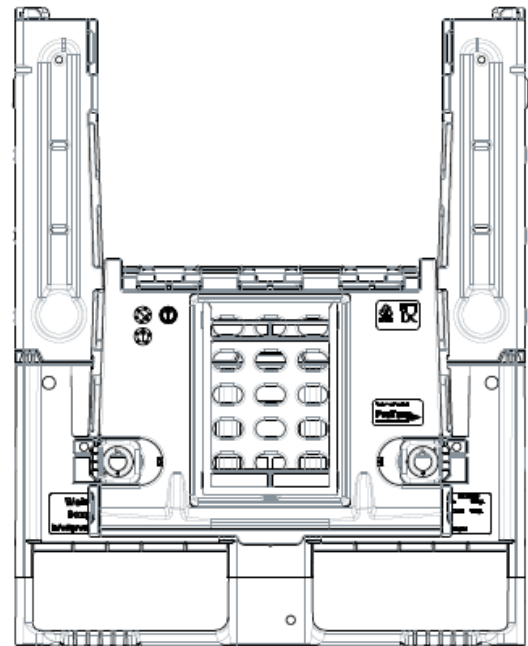
The Weinsberg Box Pallet (WBP) is the perfect solution for transporting potatoes and onions. This reusable box offers high quality and guarantees a consistently clean and sales-promoting appearance.

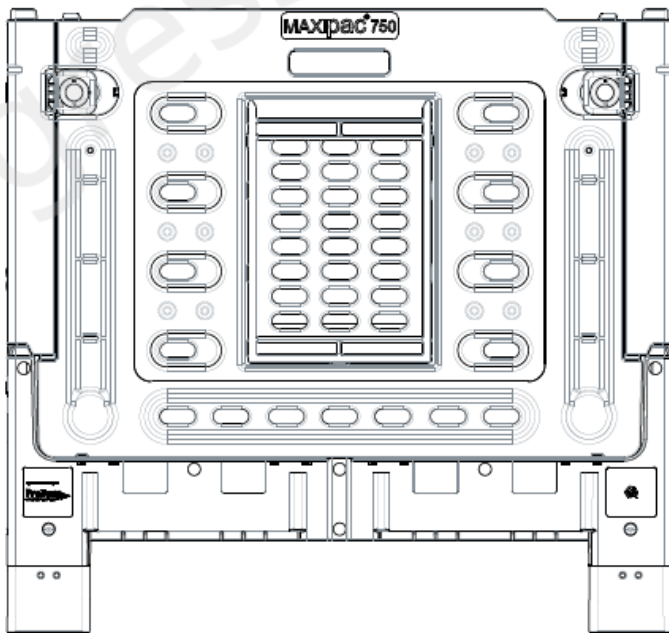
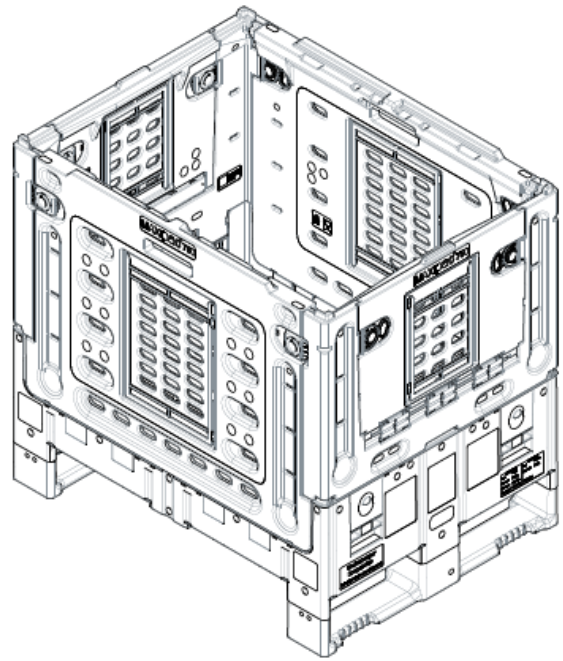


Technical specifications

Dimensions	800 x 600 x 750 mm
Hight (folded)	333 mm
Weight	17,00 kg
Material	Thermoplastic polymer / POM PP HDPE food compliant
Colour	RAL 7024 „grau“
Load capacity	Static up to 500 kg Dynamic up to 250 kg
Temperature resistance	-10°C up to +40°C
UHF-RFID-Transponder (alongside, on the right)	Frequency 860-960 MHz
Usable volume	251 L
Identification number	GS1-Standard GRAI 96
Units per full truck load / per stack	462 pieces / 14 pieces

Technical drawing





1:6

