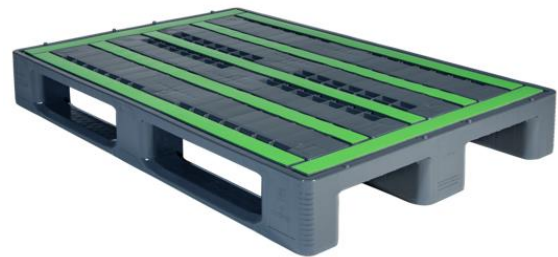


NECKARSULMER EURO PALLET

Data Sheet

Better & intelligent

The Neckarsulm Euro Pallet (NEP) is the new plastic pallet with 1,200 x 800 mm, designed for the requirements of automated logistics systems and compatible with all standard handling and conveying systems.



Technical specifications

Dimensions	1,200 x 800 x 150 mm
Weight	20.00 kg
Material	Thermoplastic polymer / food compliant
Certification	ISO 8611
Colour	RAL 7024 "grey"
Load capacity	Static up to 6,000 kg Dynamic up to 1,500 kg High rack up to 1,250 kg
Sliding friction coefficient	>0.4 according to VDI 2700 – sheet 14
Temperature conditions	-30°C up to +40°C, briefly up to +90°C
UHF-RFID-Transponder (alongside, on the right)	Frequency 860-960 MHz
Identification number	GS1-Standard GRAI 96
Units per full truck load / per stack	528 pieces / 16 pieces
Suitable for high-bay storage and automated systems	



Anti-slip stripes on the top



Matches with the Heilbronn Half Pallet

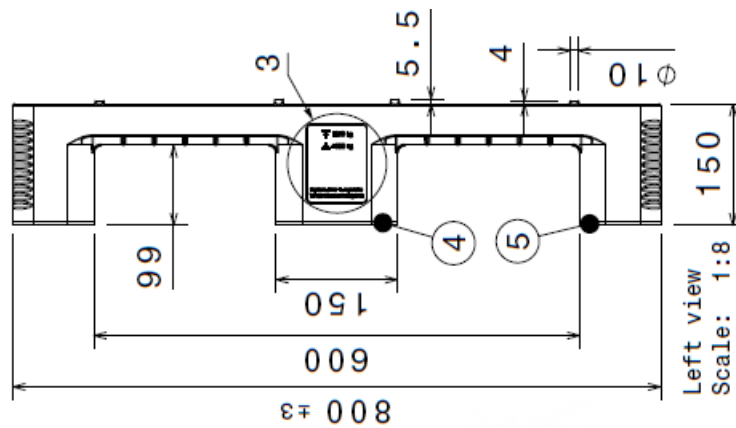
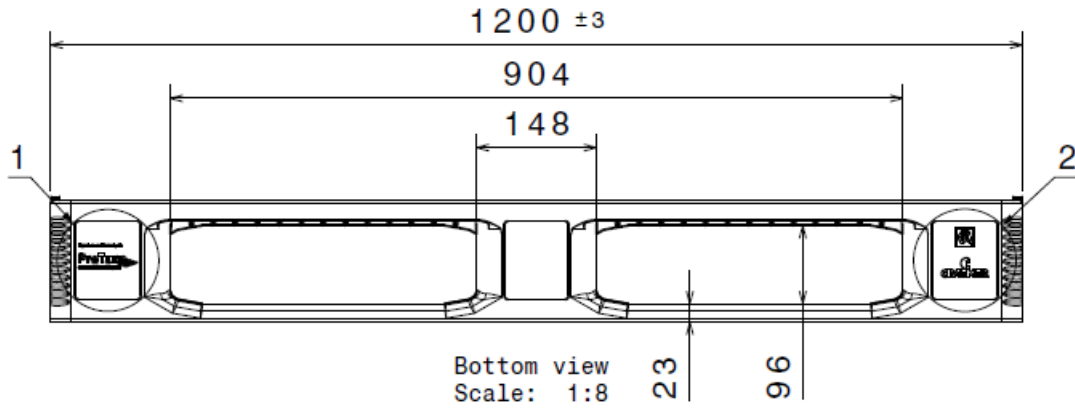


Rounded corners with notches for securing the stretch film

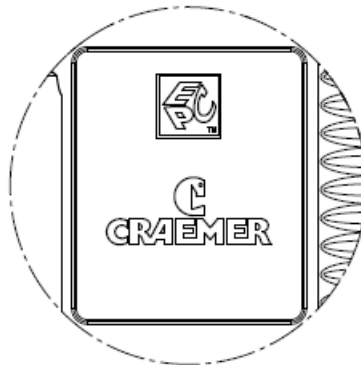


Closed running boards with a high sliding friction coefficient

Technical drawing



Detail 1
Scale: 1:2



Detail 2
Scale: 1:2



Detail 3
Scale: 1:2